



Beluga UPV/S flush-mounted

Hair dryer / Warm air shower



en Installation and operation

Special instructions	2
----------------------	---

Operation

1	General information	2
1.1	Safety instructions	3
1.2	Other markings in this documentation	3
1.3	Information on the appliance	3
1.4	Units of measurement	3
2	Safety	3
3	Appliance description	4
4	Operation	4
5	Cleaning, care and maintenance	4
6	Troubleshooting	4

Installation

7	Safety	5
7.1	General safety instructions	5
7.2	Provisions, standards and regulations	5
8	Appliance description	5
9	Preparations	5
9.1	Installation location	5
9.2	Minimum distances	5
9.3	Reference values for mounting height	6
10	Installation	6
10.1	Scope of delivery	6
10.2	Mounting the wall attachment	7
10.3	Electrical connection	9
10.4	Commissioning	10
10.5	Activating/deactivating appliance functions	10
10.6	Fitting the housing hood	10
10.7	Handover of the appliance	10
11	Cleaning and maintenance	10
11.1	Cleaning	10
12	Technical data	11
12.1	Dimensions and connections	11

Environment and recycling

13	Disposal	11
13.1	Transport and packaging material	11
13.2	Old appliances	11
13.3	Disposal outside Switzerland	11
14	Accessibility	12

Customer service and warranty

15	Warranty	12
15.1	Warranty declaration and conditions	12
15.2	Content and scope of the warranty	12
16	Spare parts	13

Special instructions

We have created these operating instructions to help you familiarise yourself quickly and comprehensively with your new appliance.

- This appliance may only be installed once these instructions have been read. The instructions provide important information on safety, use and maintenance!
- Observe all instructions and explanations relating to correct operation and handling. This will ensure that your appliance is always ready for use and has a long service life.
- Particular attention should be paid to instructions relating to safety. They help to prevent accidents and protect your appliance against damage.
- These instructions must be made available to the user and retained for future use.

This appliance complies with recognised rules of technology and relevant safety regulations for electrical appliances.

Keep children under 3 years of age away from the appliance if they cannot be supervised at all times. The appliance can be switched on and off by 3- to 7-year-old children if they are supervised or have been instructed in the safe use of the appliance and understand the hazards involved. The prerequisite for this is that the appliance has been installed as described. Children aged 3 to 7 must not insert the plug into the socket or regulate the appliance.

The appliance can be used by children aged 8 years and older and persons with reduced physical, sensory or mental capabilities or a lack of experience and knowledge if they are supervised or instructed concerning use of the appliance in a safe way and understand the hazards involved. Children must not play with the appliance. Cleaning and user maintenance must not be realised by unsupervised children.

- Parts of the appliance can become very hot and cause burns. Special care must be taken when children and vulnerable people are present.
- Do not cover the appliance to avoid overheating it.
- If the appliance is permanently connected, it must be possible to disconnect all poles from the mains connection for an isolating distance of at least 3 mm.
- The voltage specified must correspond to the power supply.
- The appliance must be connected to the protective earth conductor.
- To avoid hazards, the mains power supply cable may only be replaced with an original spare part and by an installation technician authorised by the manufacturer in the event of damage or replacement.

Attach the appliance as described in the "Installation / Assembly" chapter.

Operation

1 General information

The "Special instructions" and "Operation" chapters are aimed at the appliance user and the installation technician. The "Installation" chapter is aimed at the installation technician.



Note

Read these instructions carefully before use and keep them in a safe place. Pass the instructions on to a subsequent user where appropriate.

1.1 Safety instructions

1.1.1 Structure of safety instructions



SIGNAL WORD Type of hazard
Possible consequences of non-compliance with the safety instructions are listed here.
► The following are measures to avert danger.

1.1.2 Symbols, type of hazard

Symbol	Type of hazard
	Injury
	Electric shock
	Burns (burning, scalding)
	Radar technology

1.1.3 Signal words

SIGNAL WORD	Meaning
DANGER	A failure to observe these indications will result in serious injuries or death.
WARNING	A failure to observe these indications may result in serious injuries or death.
CAUTION	A failure to observe these indications may result in moderate or minor injuries.

1.2 Other markings in this documentation



Note
General information is labelled with the adjacent symbol.
► Read the information texts carefully.

Symbol	Meaning
	Material damage (equipment damage, consequential damage, environmental damage)
	Disposal of appliances

► This symbol indicates that you need to do something. The required actions are described step by step.

1.3 Information on the appliance

Symbol	Meaning
	Do not cover the appliance

1.4 Units of measurement



Note
Unless otherwise stated, all dimensions are in millimetres.

2 Safety

2.1 Intended use

The appliance is used for drying hair and the body.

The appliance is only intended for commercial use in fixed, non-mobile spaces such as swimming pools and changing rooms, and may only be used for drying hair and bodies.

The appliance is intended for use in a domestic environment. The appliance can be operated safely by un instructed persons. The appliance can also be used in non-domestic environments (e.g. in business and industry), provided it is used in the same way.

Any other use or use beyond this is considered improper. Intended use also includes observing these instructions and instructions for the accessories used.

The manufacturer's liability shall lapse in the event of improper use, improper installation or improper maintenance.

2.2 General safety instructions



WARNING Injury

- Keep children under 3 years of age away from the appliance if they cannot be supervised at all times.
- The appliance can be switched on and off by 3- to 7-year-old children if they are supervised or have been instructed in the safe use of the appliance and understand the hazards involved. The prerequisite for this is that the appliance has been installed as described. Children aged 3 to 7 must not insert the plug into the socket or regulate the appliance.
- The appliance can be used by children aged 8 years and older and persons with reduced physical, sensory or mental capabilities or a lack of experience and knowledge if they are supervised or instructed concerning use of the appliance in a safe way and understand the hazards involved. Children must not play with the appliance. Cleaning and user maintenance must not be realised by unsupervised children.



WARNING Electric shock
Do not insert any objects into the appliance openings.

**WARNING Burning**

Do not operate the appliance ...

- if the required minimum distances to neighbouring object surfaces or other combustible materials are undershot.
- in rooms where there is a risk of fire or explosion due to chemicals, dust, gases or vapours. Ventilate the room sufficiently before using the appliance.
- in the immediate vicinity of pipes or containers that carry or contain flammable or explosive substances.
- if an appliance component is damaged, the appliance has been dropped or there is a malfunction.

**CAUTION Burning**

- Do not lean any objects against the appliance.
- Do not place any flammable, combustible or thermal insulating objects or substances on the appliance or in its immediate vicinity.
- Ensure that the air inlet and outlet are not blocked.
- Parts of the appliance can become very hot and cause burns. Special care must be taken when children and vulnerable people are present.

**WARNING Radar**

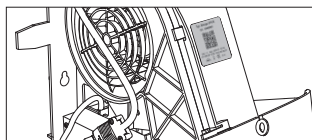
The appliance has built-in radar technology

**WARNING Overheating**

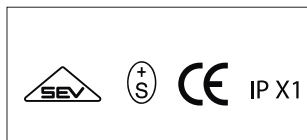
Do not cover the appliance to avoid overheating it.

2.3 Test mark

The rating plate is located on the outside on the underside of the plastic hood.



The serial number label is located on the inside of the front of the mounting housing.



Test mark

3 Appliance description

The height adjuster is set to the desired height by pulling the handle.

The appliance works without contact. If you place your hands or head within the radar's detection range, the appliance's fan is automatically activated.

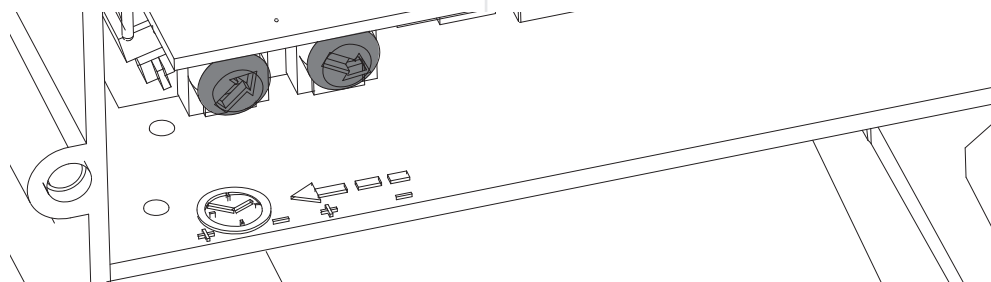
The appliance dries hair and the body with a pleasantly warm stream of air and switches off automatically when one moves away from the appliance.

4 Operation

Commissioning:

- Approaching the hair dryer (hood) to a distance of between 10 and 15 cm activates it without the need to touch it, and the time relay automatically deactivates it after 2.5 minutes (factory setting).
- If you are still standing under the hair dryer after the 2.5 minutes have elapsed, it will run for another 2.5 minutes and only switch off automatically when the time has elapsed.
- Approaching sensitivity and the automatic timer can be individually set by the customer (see table).

Automatic timer	Approaching
Customised on the print control	Customised on the print control
Adjustable:	Adjustable:
From 30 seconds to 5 minutes	From 10 to 15 cm.



5 Cleaning, care and maintenance

**Damage**

Ensure that no moisture or water penetrates into the appliance. The height adjuster should also not come into contact with water. Do not wash walls with sprayed water where Rez height adjusters are fitted.

**Damage**

Unsuitable cleaning agents can damage the appliance housing.

- ▶ Do not use abrasive or solvent-based cleaning agents.
- ▶ Wipe the appliance housing regularly with a soft, damp cloth.
- ▶ Clean the air intake area, motor, heater (attention: do not damage the overheating protection thermostat) and outlet grille regularly with a vacuum cleaner and a round brush. **(Do this at least four times a year. Important, watch video under 11.1)**

6 Troubleshooting

Problem	Cause	Remedy
The appliance does not switch on.	No power is applied.	Check whether a fuse or the RCD has tripped in the domestic installation.
		Check that the mains plug is plugged in correctly.
	Print control defective	Install a new print control – remove the print control from a functioning appliance and install it in the defective appliance to be sure that the print control is the cause.
	Heating defective	Install a new heater – remove the heater from a working appliance and install it in the defective appliance to be sure that the heater is the cause.
Motor does not turn	Motor/heater is defective, or the starting capacitor on the print control is defective.	Install a new motor or replace the print control. Install a new heating system.
Hair dryer functions, but only with cold air	Heating defective	Installing a new heating system

Call a specialist if you are unable to rectify the cause. For better and quicker help, provide the specialist with the model and serial number from the type plate (Beluga UPV/S G 400000).

Installation

7 Safety

The installation, commissioning, maintenance and repair of the appliance may only be realised by a specialised technician.

7.1 General safety instructions

We can only guarantee perfect functionality and operational safety if the original accessories and spare parts intended for the appliance are used.

7.2 Provisions, standards and regulations



Note
Observe all national and regional provisions and regulations.

8 Appliance description

Scope of delivery

- The following are supplied with the appliance:
- Assembly box with assembly jig and socket spanner
 - Operating and installation instructions

9 Preparations

9.1 Installation location



Damage
The appliance is intended exclusively for indoor installation. Exposing the appliance to the effects of weather may damage it.

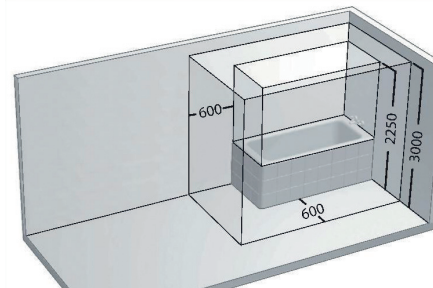


Note
The appliance must be mounted on a wall with a sufficient load-bearing capacity.
► Mount the appliance on a vertical wall only.

Installation in bathrooms

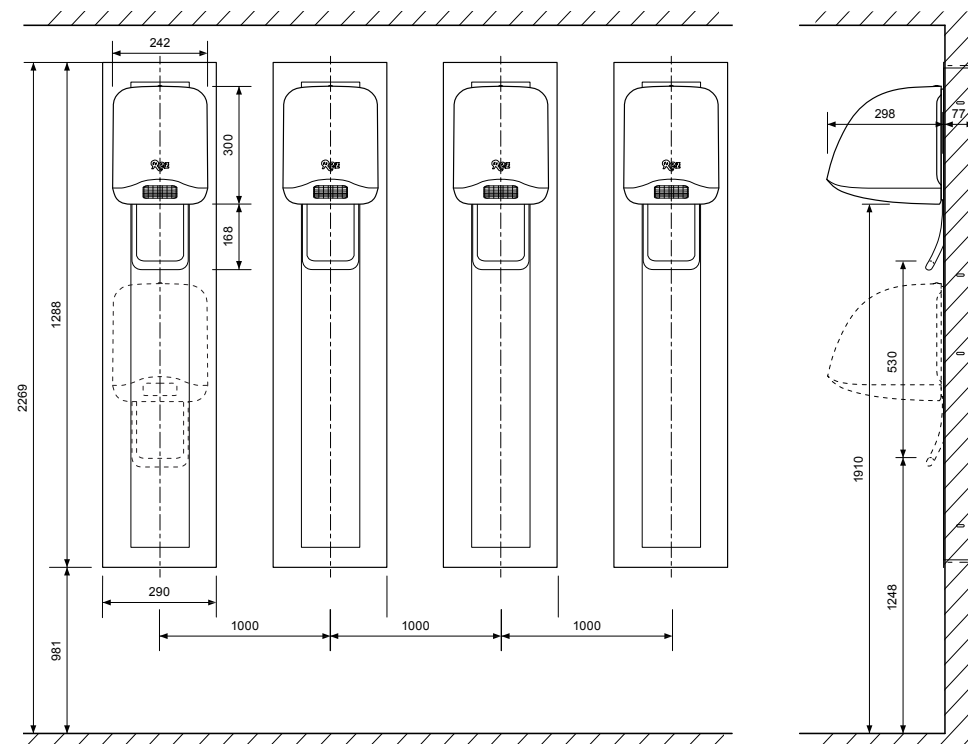


WARNING Electric shock
Only install the appliance outside protected area 2.



Electrical protected areas in the bathroom

9.2 Minimum distances



9.3 Reference values for mounting height



Note
The height indicates the distance between the lower edge of the plastic hood and the floor.
(The height adjuster is pushed upwards)

Groups of people



Adults
Height 1900–1950 mm



Children 3–14 years old
Height 1800–1850 mm



Wheelchair users
Height 1650 mm

10 Installation

Installation instructions, installation conditions, electrical connection:


- This appliance may only be installed if these operating and installation instructions have been read.
- The instructions in this chapter must be observed to avoid injury or damage.

An authorised specialist must be commissioned with the installation to ensure that the appliance is connected in compliance with safety regulations. In rooms with showers and baths, the appliance must not be installed within the safety zones specified in the German VDE association regulations (0.6 m from the edge of the shower or bath and 1.2 m from shower heads). This hair dryer must be installed out of the reach of anyone using a bath or shower.

- Combustible materials must be kept away from the hair dryer.
- Only connect the hair dryer to alternating current via a correctly installed mains supply with a protective earth conductor.

Electrical connection "F", flush-mounted:

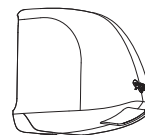
The mains supply cable must be connected directly to the terminal provided in the appliance on the installation side. An all-pole disconnection device must be provided on the installation side from the mains with a contact opening width of at least 3 mm per pole. The mains connection must be protected by a residual current device (RCD). If the connection cable of this appliance is damaged, it must be replaced with the special type "F" cable, a black spiral cable (H05BQ-F) which can be obtained from the manufacturer and must be changed by a specialist.

- The residual current device (RCD) must comply with EU standards and bear the following symbol 
- The mains voltage must correspond to the voltage specification on the rating plate.
- The connected load and the required fuse are indicated on the rating plate.
- The regulations of the responsible electricity company must be observed.
- The connection to the mains must be established so that the internal activation relay interrupts the phase conductor (brown wire to the mains phase conductor, blue wire to the mains neutral conductor and yellow/green wire to the mains protective earth conductor).

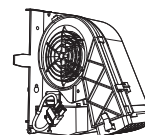
10.1 Scope of delivery

Parts:

Plastic hood



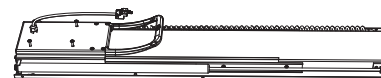
Power unit



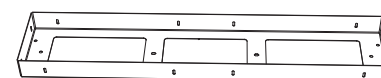
Aperture (frame)



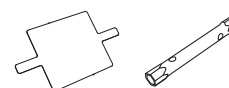
Height adjuster



Assembly box



Assembly jig and 13 mm pipe socket spanner



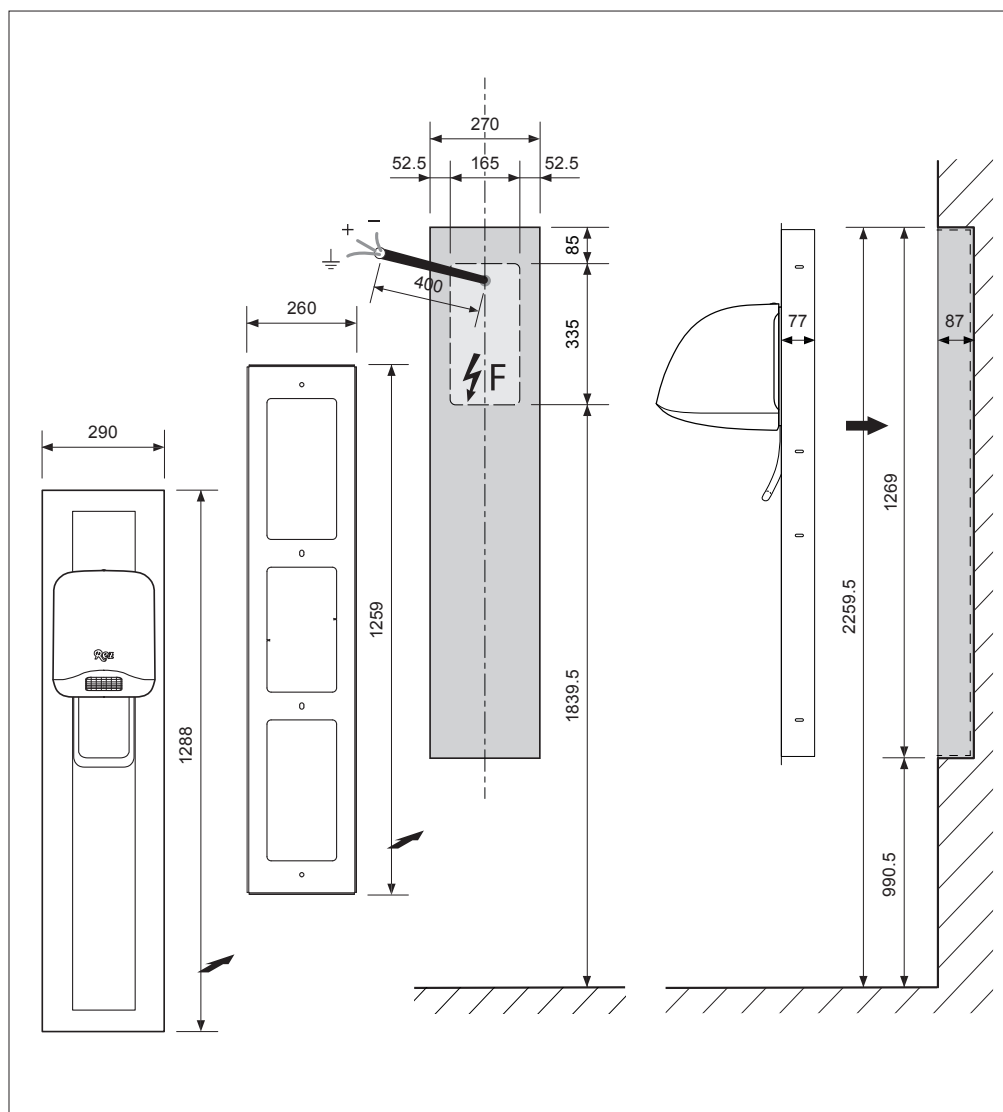
Mounting screws + tools for wall mounting of the mounting box are not supplied (due to different construction situation and materials).

Recommended assembly tool:

- Torx screwdrivers, T20 and T25
- Electric flat-blade screwdriver
- Electrical pliers
- Drilling machine (drills / dowels, depending on wall construction)
- Cordless screwdriver (including inserts)
- Spirit level
- Pencil
- Scraper (cover removed)

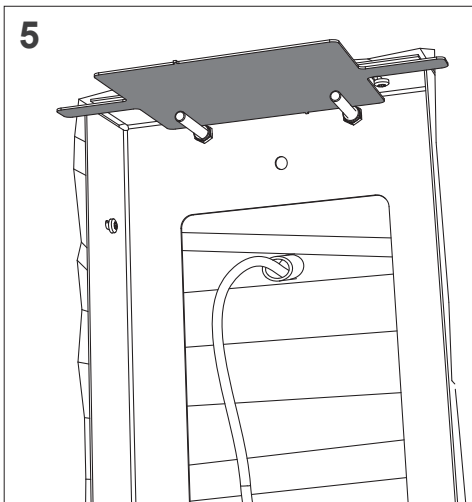
10.2 Mounting the wall attachment

The device is designed for flush mounting using the mounting box provided.
 ► Place the appliance on a soft support so that the surface is not damaged.

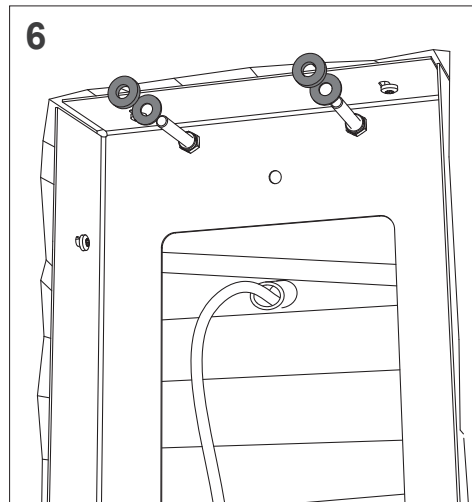


Mounting sequence:
 The assembly concept

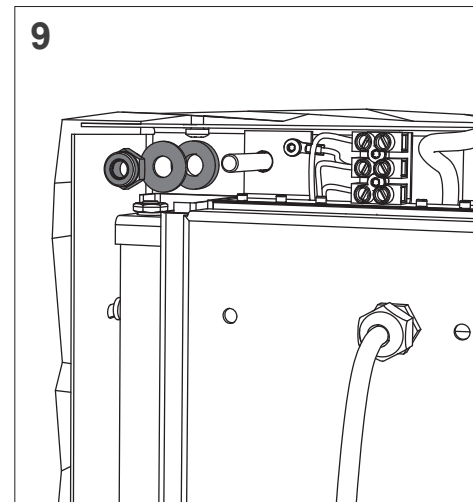
<p>1</p> <p>Check dimensional accuracy. Nominal dimensions according to DIN 18202. Recess 1269x270x87 mm</p>	<p>2</p> <p>Before inserting the mounting box into the recess, ensure that the mounting jig has been broken out by bending.</p>
<p>3</p> <p>The mounting box must be positioned 2 mm back from the finished wall surface and plumb in both directions.</p>	<p>4</p> <p>Depending on the wall structure, fix the mounting box in this position with appropriate screws (centred in the 6.5mm wide slotted holes of the mounting box). The cavities can also be filled with foam if you want to optimise sound insulation.</p>



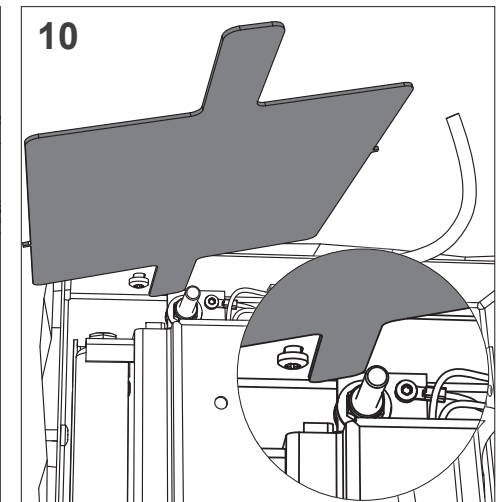
5
Adjust the four rear retaining nuts precisely relative to the finished wall surface using the mounting jig (turn the nuts forwards or backwards accordingly).



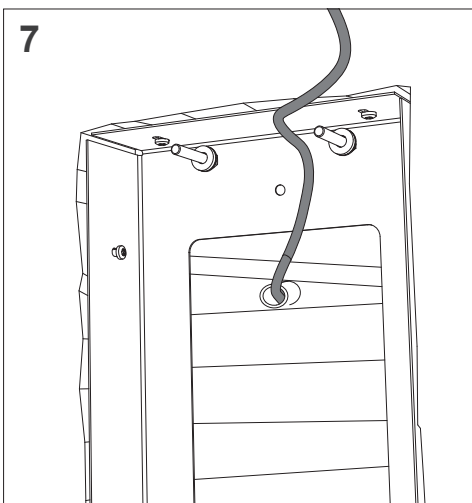
6
First place a metal washer and then a rubber washer on each of the 4 threaded rods.



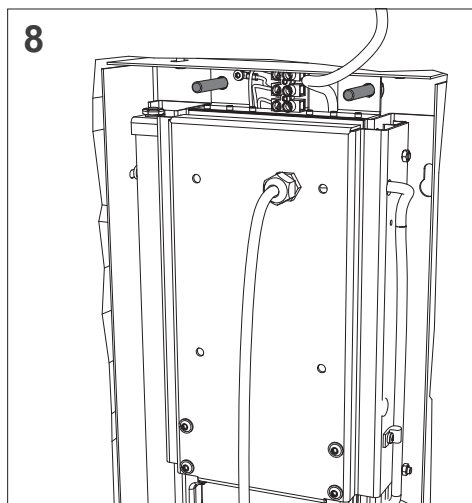
9
First place a rubber washer and then a metal washer on each of the 4 threaded rods and secure lightly with the M8 lock nut.



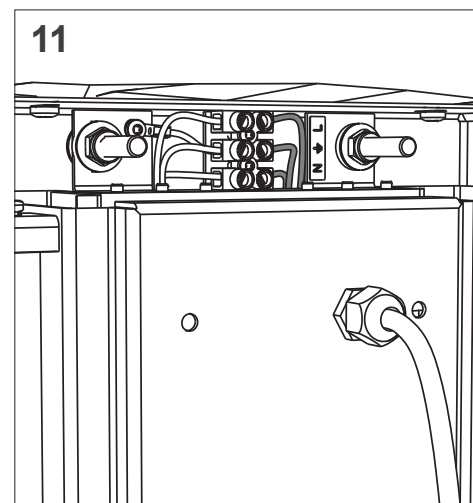
10
Now align with the mounting jig (narrow part) at all 4 corners of the finished wall surface. Loosen or tighten the stop nuts if necessary (the 4 corners are marked in red).
Important: This must be realised exactly as shown in Fig. 10.



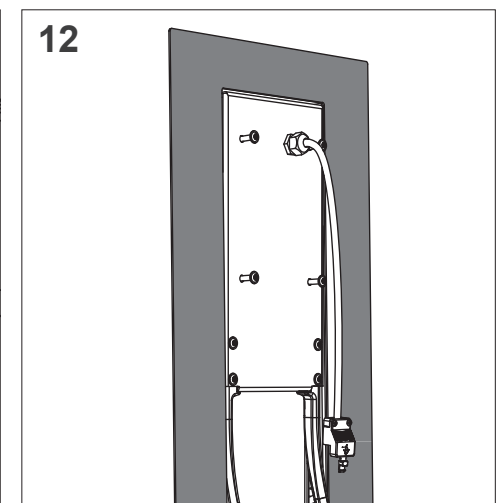
7
Lay the cable upwards and fix it temporarily.



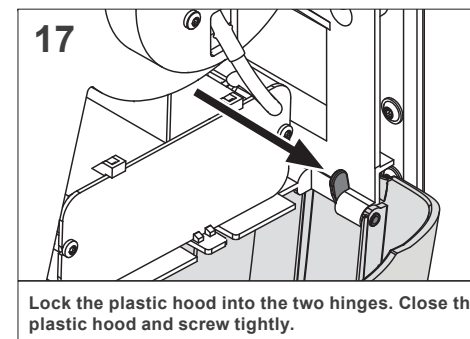
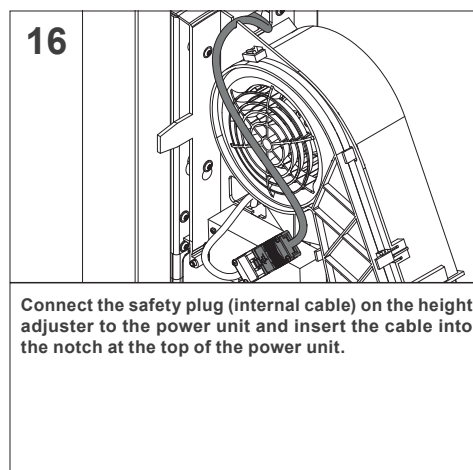
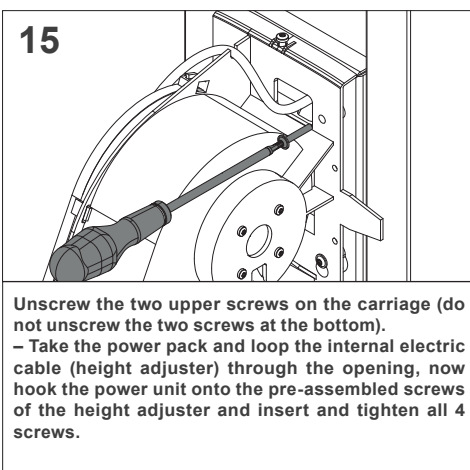
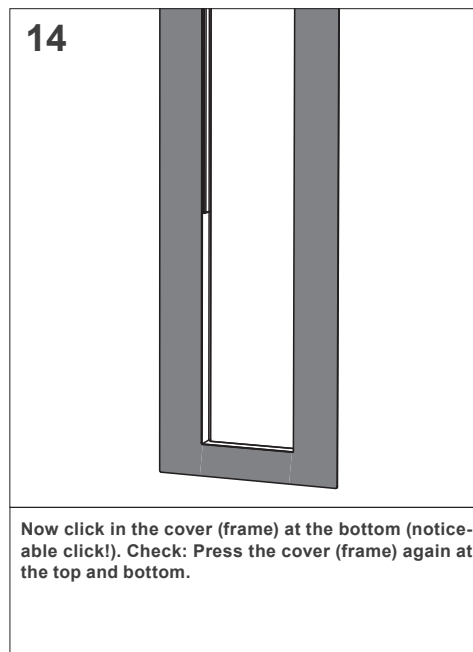
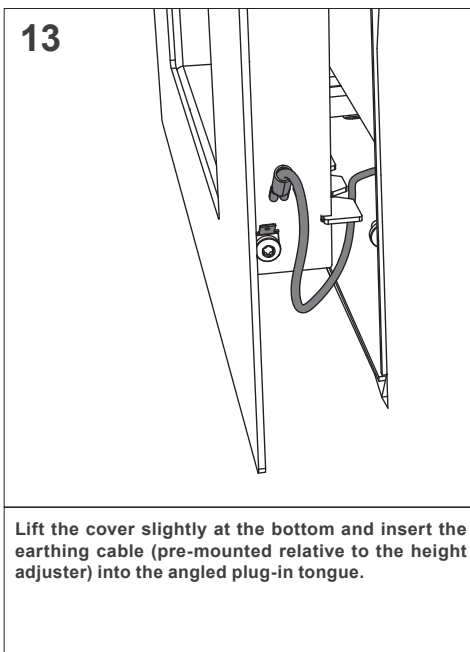
8
Hold the height adjuster by the handle and hook in without the power unit and cover.



11
Disconnect the mains connection cable provided by the customer and connect it to the connection terminal in accordance with the labelling. Simply push the remaining cable down at the back.



12
Position the cover (frame) and click it in firmly at the top first (noticeable click!).



Note

- ▶ When positioning the wall attachment, note the position and length of the mains connection cable.
- ▶ With regard to the mounting height, orientate yourself on the corresponding reference values in the "Preparations / Reference values for mounting height" chapter.



Damage

If you hit electrical cables while drilling, the fuse will blow and the cable will be damaged. If you hit pipework while drilling, there is a risk of water damage.

- ▶ Ensure that you do not damage any electrical cables or pipes when drilling.

10.3 Electrical connection



WARNING Electric shock

Realise all electrical connection and installation work in accordance with national and regional regulations.



WARNING Electric shock

If the appliance is permanently connected, it must be possible to disconnect all poles from the mains connection for an isolating distance of at least 3 mm. (RCD - residual current device)



WARNING Electric shock

Ensure that the appliance is connected to the protective earth conductor.



Damage

Observe the rating plate. The specified voltage must match the mains voltage.



- ▶ The power supply is connected directly to the appliance or, optionally, via an electrical connection cable with a mains plug.



Note

- ▶ Ensure that the length of the mains connection cable is sufficient to be routed correctly through the wall mounting to the connection terminal.

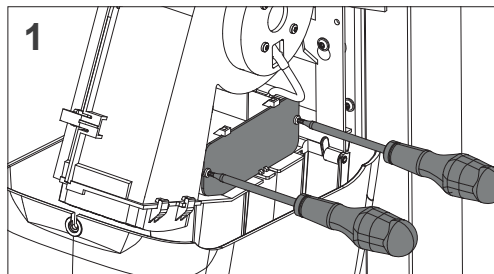
10.4 Commissioning

Commissioning:

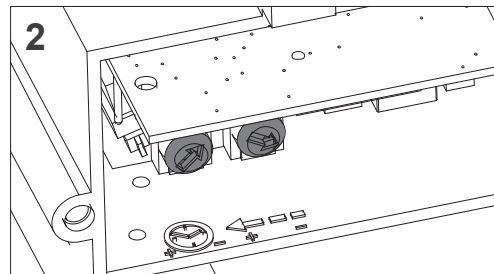
- Approaching the hair dryer (the underside of the hood) to a distance of between 10–15 cm activates it without the need to touch it, and the time relay automatically deactivates it after 2.5 minutes. If you are still standing under the hair dryer after the 2.5 minutes have elapsed, it will run for another 2.5 minutes and only switch off automatically when the time has elapsed.
- Children must not play with the hair dryer.
- No objects may be inserted into the intake slot or air outlet.
- The side intake slots and the air outlet must not be covered.
- Fire hazard: No flammable cleaning agents may be used.

10.5 Activating/deactivating appliance functions

Setting the time and sensitivity



1 Detach the circuit print control cover



2 **Time setting potentiometer**
Turn clockwise, maximum (5 min.)
Turn anti-clockwise, minimum (30 sec.)
Proximity setting potentiometer
Turn clockwise, maximum (15 cm)
Turn anti-clockwise, minimum (10 cm)

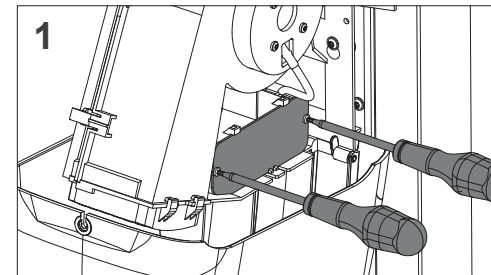
Factory setting

Time setting	2.5 minutes
Approaching, sensitivity	15 cm

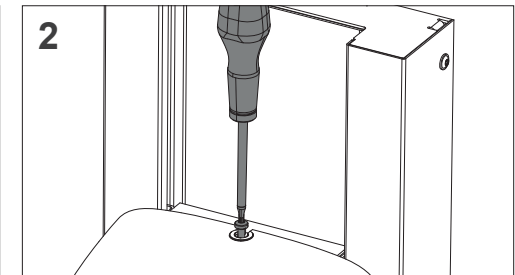


- ▶ Switch on the desired functions with the potentiometer according to your requirements.

10.6 Fitting the housing hood



1 Fit the circuit print control cover and screw tightly.



2 Tighten the hood.



- ▶ Switch on the power supply or insert the mains plug of the electrical connection cable (if available) into the earthed socket.
- ▶ Attention: The internal starting capacitor takes approx. 10 seconds to charge; only then does the hair dryer activate.

10.7 Handover of the appliance



- ▶ Explain the functions of the appliance and maintenance to the user.
- ▶ Ensure that the user pays particular attention to the safety instructions.
- ▶ Provide the user with these operating and installation instructions.

11 Cleaning and maintenance



WARNING Electric shock
Disconnect all poles of the appliance from the mains connection before carrying out any work.

11.1 Cleaning

Cleaning and care:

It should be noted that the appliance must be thoroughly cleaned at least **4 times a year** by a specialist. This is the only way to ensure proper and safe operation.

This maintenance must be realised by an authorised specialist.

Procedure for motor, heating and control:

The power supply must be disconnected! Check automatic deactivation by operating the hair dryer. If the dryer is no longer running, use a screwdriver to loosen the upper housing screw, holding the plastic hood simultaneously with one hand, and fold down the plastic hood.

Important: The connection to the mains must be disconnected by pulling out the internal safety plug. The entire appliance is then de-energised. Only now may the lower outlet grille and the print control cover be removed. Risk of electric shock! Remove the motor protection grille, dusting out the fan louvres with a round brush and vacuum cleaner. Turn the fan blades until the dust falls

out. Finished. Remove the heating element and carefully clean it to remove dust and fluff. Please ensure that the overheating protection thermostat is not damaged, otherwise the appliance will stop running for safety reasons.



Beluga cleaning instructions in video format:
www.rez-ag.ch/qr-belugavs

Procedure for height adjuster and spiral cable: The power supply must be disconnected!

Remove the cover and power unit. Carefully loosen the cover at the bottom with a spatula or wedge and unplug the earthing at the side. Use a spatula or wedge to loosen the top of the hood and lift it off parallel to the wall. Thoroughly remove the old lubricating grease from the precision rails with a cloth and replace it. The black H05BQ-F spiral cable installed in the height adjuster must be checked annually for defects!

Recommission in reverse order. Test run. – Operational handover.



► **Repair:**

The manufacturer or a specialised company must be consulted in the event of any damage to the appliance (e.g. heating element, connection cable)!

- A defective mains cable may only be replaced by authorised specialist personnel.
- No objects may be inserted into the air intake slot or the air outlet.
- The side intake slots and the air outlet must not be covered.
- Opening the appliance: Disconnect the power supply, then disconnect the internal safety plug from the appliance. Only then should the air outlet grille or print control cover be removed. Risk of electric shock!
- No flammable cleaning agents may be used.

12 Technical data

12.1 Dimensions and connections

Electrical data	Unit	Beluga UP V/S
Mains connection	N / E / L	~ 230 V
Frequency	Hz	50
Nominal voltage	V	230
Rated current	A	8.69
Nominal output	W	2000
Connected load radiator	W	1915
Connected load fan / motor	W	85
Dimensions		
Height	mm	1259
Width	mm	290
Depth flush wall	mm	298

Weights		
Weight	kg	26.2
Designs		
Colour height adjuster	Pure white RAL 9010 or white aluminium RAL 9006	
Colour plastic hood	Six RAL standard colours according to the colour guide	
Protection class (drip-proof)	(IP)	IPX1
Values		
Operating noise	db (A)	65
Air exhaust	m³/h	258
Drying time	minutes	2.5
Mirror	mm	1188 x 140 x 3
Height adjustability	mm	530
Electromagnetic compatibility	EMC	certified

Environment and recycling

13 Disposal

13.1 Transport and packaging material

We have packed your appliance carefully so that it arrives undamaged. Please help to protect the environment by disposing of the appliance packaging material properly. Together with wholesalers and the specialised trade, we are involved in an effective take-back and disposal concept for the environmentally friendly processing of packaging.

Leave the transport packaging to the specialist installer or specialist dealer. Dispose of sales packaging via one of the dual systems.

13.2 Old appliances



► **Disposal of appliances:**

Appliances labelled with this symbol must not be disposed of with household waste.

As a manufacturer, we ensure environmentally friendly processing and recycling of old appliances in the context of product responsibility. Further information on collection and disposal can be obtained from your local authority or your specialist installer/dealer.

When developing new appliances, we ensure sure that the materials used have a high recycling capability.

The take-back system achieves high recycling rates for materials in order to reduce the burden on landfill sites and the environment. Together, we are making an important contribution to environmental protection.

13.3 Disposal outside Switzerland

Dispose of this appliance properly and in accordance with local regulations and laws.

14 Accessibility

Should a fault occur with one of our products, we are of course on hand to help and advise you.

Rez AG / SA / LTD.

Hair and Hand Dryers
Litternaweg 8
CH-3930 Visp
Switzerland

Telephone: 0041 848 00 10 50
Email: info@rez-ag.ch
www.rez-ag.ch

You can reach our customer service by telephone from Monday to Friday, except public holidays.
Business hours 8:00 am to 5:00 pm

Customer service and warranty

15 Warranty

15.1 Warranty declaration and conditions

These warranty conditions regulate additional warranty services we provide for the end customer. They are an addition to the end customer's statutory warranty claims. Statutory warranty claims against the end customer's other contractual partners are not affected by our warranty. Exercising of these statutory warranty rights is free of charge. These rights are not restricted by our warranty.

These warranty conditions only apply to appliances that are purchased by the end customer as new appliances. A warranty agreement shall not be concluded if the end customer purchases a used appliance or a new appliance from another end customer.

Spare parts are guaranteed to be available for 20 years.

15.2 Content and scope of the warranty

The warranty service is provided if a manufacturing and/or material defect occurs on our appliances within the warranty period. However, the warranty does not cover any services for appliances on which faults, damage or defects occur due to calcification; chemical or electrochemical effects; incorrect set-up or installation; improper setting, adjustment, use or operation. Also excluded are services due to inadequate or omitted maintenance, weather influences or other natural phenomena.

The warranty is void if the appliance has been repaired, tampered with or modified by persons not authorised by us. Free access to the appliance must be ensured by the end customer. As long as there is insufficient accessibility (compliance with the minimum distances according to the operating and installation instructions) to the appliance, we are not obliged to provide the warranty service. Any additional costs caused by the location of the appliance or poor accessibility to the appliance are not covered by the warranty.

We will not accept carriage forward appliances sent to us unless we have expressly agreed to the carriage forward shipment. The warranty service includes checking whether a warranty claim exists. In the event of a warranty claim, we alone decide how the fault is to be rectified. We are entitled to have the appliance repaired or to realise the repair ourselves. Any replaced parts shall become our property.

Insofar as the customer has received services due to the warranty case on the basis of statutory warranty claims against other contractual partners, we shall have no obligation to perform.

Insofar as a warranty service is provided, we accept no liability for damage to an appliance due to theft, fire, force majeure or similar causes.

In addition to the warranty services promised above, the end customer cannot assert any claims under this warranty for indirect damage or consequential damage caused by the appliance, in particular for compensation for damage occurring outside the appliance. Legal claims of the customer against us or against third parties remain unaffected. These rights are not restricted by our warranty. The exercising of such statutory rights is free of charge.

Warranty period

The warranty period is 24 months for appliances used in private households or commercially.

The warranty period for each appliance begins when the appliance is handed over to the customer who uses the appliance for the first time.

Warranty services do not lead to an extension of the warranty period. The warranty service provided does not initiate a new warranty period. This applies to all warranty services rendered, in particular for any spare parts installed or the replacement delivery of a new appliance.

Claims made under the warranty

Warranty claims must be submitted to us before the warranty period expires and within two weeks of the defect being identified. Details of the fault, the appliance and the time of detection must be provided. The invoice or other dated proof of purchase must be enclosed as proof of warranty. A warranty claim can not be asserted if the aforementioned information or documents are missing.

Warranty for used appliances

We are not obliged to provide warranty services outside Switzerland. If an appliance used abroad malfunctions, it must be sent to customer service in Switzerland at the customer's risk and expense. The return shipment is also at the risk and expense of the customer. Any statutory claims of the customer against us or against third parties shall also remain unaffected in this case. Such statutory rights are not restricted by our warranty. The exercising of these statutory rights is free of charge.

Product liability

We are not liable for any damage or operating accidents caused by improper electrical connection, negligent maintenance, vandalism or transport damage.

Concluding remark

If it is necessary to intervene in the appliance for maintenance purposes or due to a fault, please read these operating instructions carefully. If you are unsure, consult the manufacturer or a specialised company.

Transport damage

Check the contents of the consignment. Complain about any transport damage immediately upon receipt of the goods at the responsible post office or railway station, or to the forwarding agent.

Warranty: 2 years from date of invoice

The serial number of the appliance replaces the warranty certificate. Repairs due to incorrect connection, use of force or faulty operation are not covered by the warranty.

General Terms and Conditions

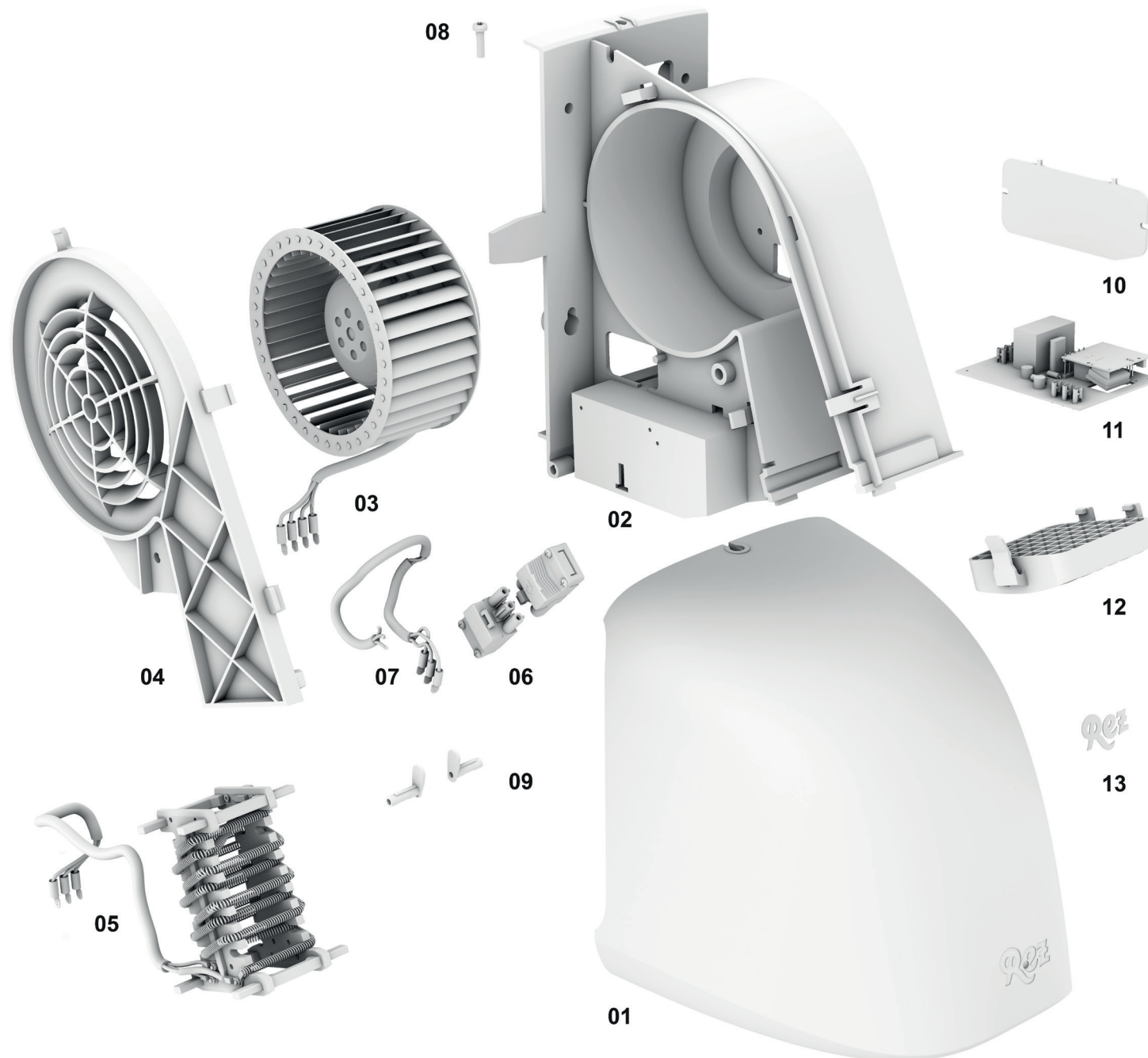
We refer to the General Terms and Conditions (GTC) of Rez AG, which can be viewed or downloaded at any time at www.rez-ag.ch/service.

Guarantor

Rez AG
Litternaweg 8
CH-3930 Visp
Switzerland

www.rez-ag.ch

16 Spare parts



No.	Spare part
01	Plastic hood
02	Motor housing
03	Induction motor incl. cable & plug
04	Motor protection grille
05	Heater 1915 W incl. connection cable
06	Main isolation plug N / E / L
07	Power cable to plug
08	Cover screw
09	Hinge pin
10	Print control cover
11	Print control / HF radar sensor
12	Discharge grille
13	Adhesive Rez logo

