




Beluga UPV/S product data sheet

Flush mounting



- Attractive, space-saving room design option
- Suitable for the private sector
- Ideal for different body sizes
- Suitable for demanding, continuous operation on a daily basis
- The flush-mounted height adjuster increases vandal resistance
- Compliant with the highest safety requirements
- Economical in energy consumption
- Completely new Swiss design
- Even quieter in operation
- Space-saving height adjuster as flush-mounted version (world first)
- 20 to 30 years of use
- 20-year spare parts availability guarantee

Product data

Height adjuster	Ball bearing mounted, height adjustable 530 mm	Operating voltage	230 V / 50 Hz
Hood	Vandal-proof	Total rated power	2000 W
Handle	Ergonomic handle made of glass fibre reinforced plastic	Heat output	1915 W, with overheating protection
Trigger	Automatic trigger with HF radar technology / (detection range 5–15 cm) / automatic timer	Safety	  
Automatic timer	Factory setting to 2.5 min. (30 sec.–5 min.)	Electromagnetic compatibility	Certified
Cleaning	Durable materials with good cleaning properties	Drip proof	IPX1
Motor	High-performance ball bearing mounted induction motor	Mirror	UPV/S always with mirror
Operation / Safety	User-friendly for young and old	Dimensions	W x H x D 290 x 1288 x 298 mm
Robustness	Developed for public facilities, durable, 50,000 h	Flush-mounted mounting box	W x H x D 260 x 1259 x 77 mm
Acoustics	Very quiet, thanks to optimised air intake	Recess in wall	W x H x D 270 x 1269 x 87 mm
Air temperature/emission	65 °C, 258 m³/h	Weight	26.2 kg
		Colours of height adjuster	Pure white, white aluminium (painted) Customised according to RAL and NCS-S
		Colours of hood	6 colours (coloured / painted) Customised according to RAL and NCS-S

Colours and surfaces



Plastic hoods

Available in 6 standard colours.
The hoods are also available painted in any other colour for an additional charge (according to RAL and NCS-S).



Height adjusters

Available in 2 standard colours.
Special colours for an additional charge (according to RAL and NCS-S)

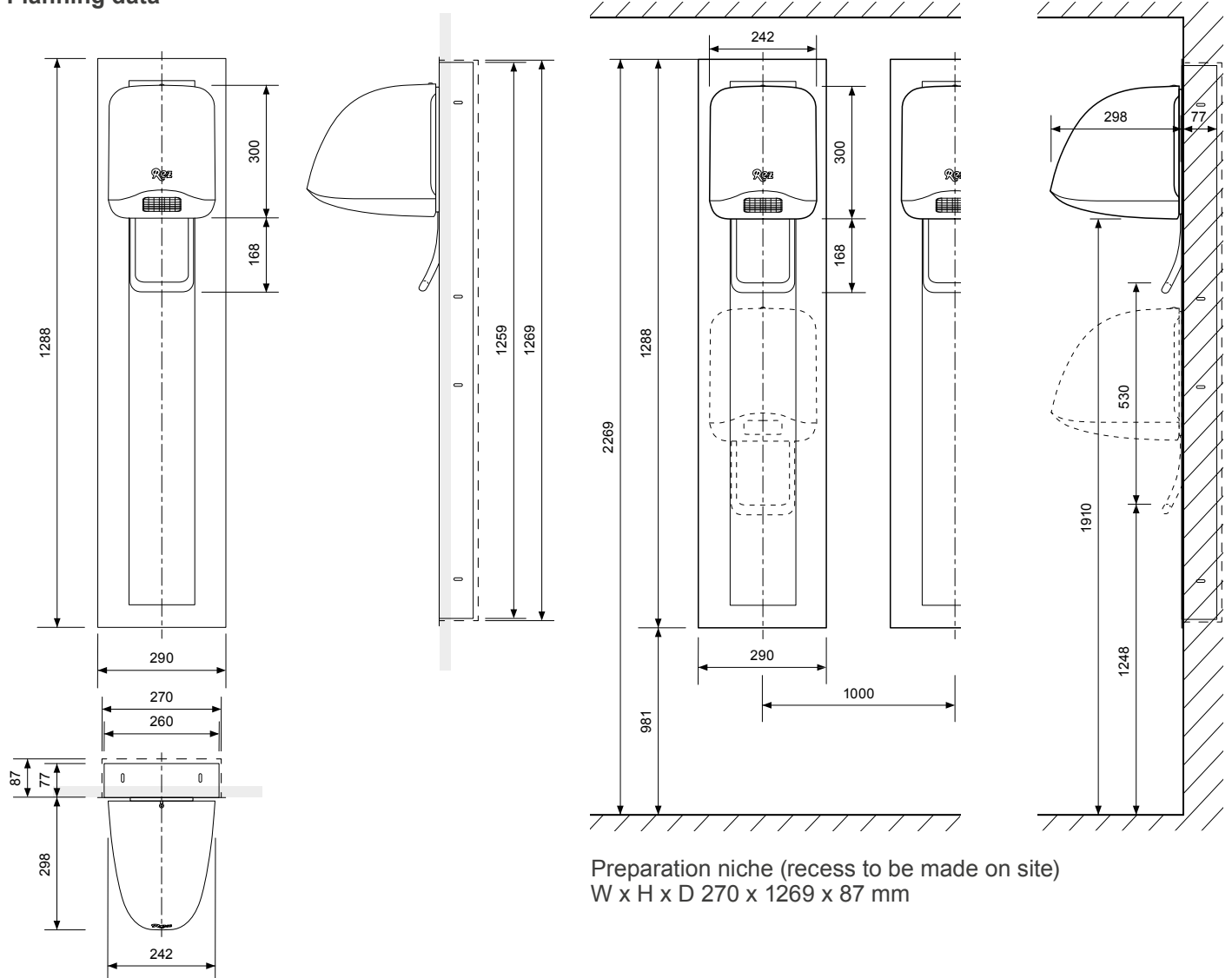


Plastic hood	Pure white RAL 9010 silk matt, coloured	White aluminium RAL 9006 silk matt, painted	Pearl mouse grey RAL 7048 silk matt, painted	Anthracite grey RAL 7016 silk matt, coloured	Azure blue RAL 5009 silk matt, coloured	Ruby red RAL 3003 silk matt, coloured
Height adjuster	Pure white, RAL 9010 gloss, painted					

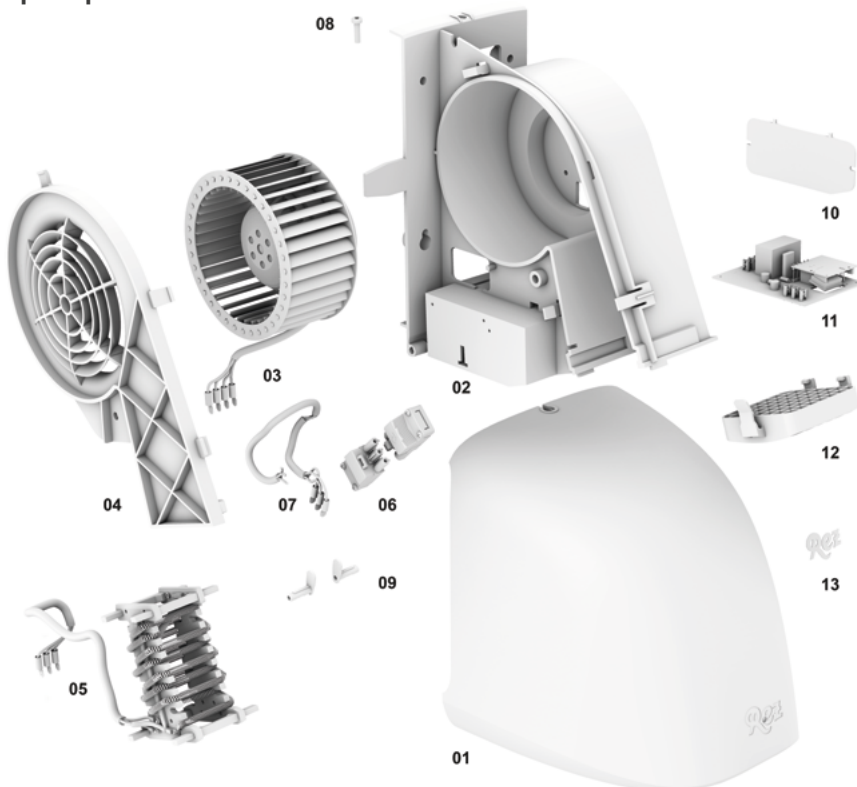


Plastic hood	Pure white RAL 9010 silk matt, coloured	White aluminium RAL 9006 silk matt, painted	Pearl mouse grey RAL 7048 silk matt, painted	Anthracite grey RAL 7016 silk matt, coloured	Azure blue RAL 5009 silk matt, coloured	Ruby red RAL 3003 silk matt, coloured
Height adjuster	White aluminium, RAL 9006 gloss, painted					

Planning data



Spare parts



No. Spare part

01	Plastic hood
02	Motor housing
03	Induction motor incl. cable & plug
04	Motor protection grille
05	Heater 1915 W incl. connection cable
06	Main isolation plug N / E / L
07	Power cable to plug
08	Cover screw
09	Hinge pin
10	Print control cover
11	Print control electronics / HF radar sensor
12	Discharge grille
13	Adhesive Rez logo

Tender text: Beluga UPV-S

Hair dryer with height adjustment (flush-mounted Beluga model range)

Beluga UPV/S model

(with flush-mounted height adjuster, with crystal glass mirror)

Hair dryer for use in public and private areas. For flush-mounted installation, with non-contact radar technology (detection range 5–15 cm) and automatic timer (30 sec.–5 min.). Factory setting 2.5 minutes. Housing made of robust, impact-resistant ABS plastic 5 mm, available in 6 different standard colours according to the manufacturer's colour palette.

Ideal for public areas and private pools, especially in cloakrooms where people of different sizes are on the move.

Vandal-proof height adjuster made of metal, with ball bearing guided carriage, can be loaded up to 140 kg, 530 mm height adjustable. Incl. vandal-proof gas pressure spring. Height adjuster version in 2 standard colours.

Crystal mirror 3 mm mounted over the entire height between the running rails.

Including fixing material.

Device is serviced in 5 minutes.

Easy to maintain and 20-year availability guarantee for spare parts.

Connected load: 230 V / 50 Hz

Rated power: 2000 W

Heating: 1915 W (with overheating protection)

Air output: 258m³ / h

Discharge temperature: 65°C

Ball bearing mounted high-performance induction motor

Connection: N / E / L, on site

Hair dryer dimensions:

W x H x D 290 x 1288 x 298 mm

Mounting box

W x H x D 260 x 1259 x 77 mm

Recess in wall for mounting box:

W x H x D 270 x 1269 x 87 mm

Weight: 26.2 kg

Make: Rez AG

Warranty

Rez product warranty:

2-year and 20-year availability guarantee for spare parts.

