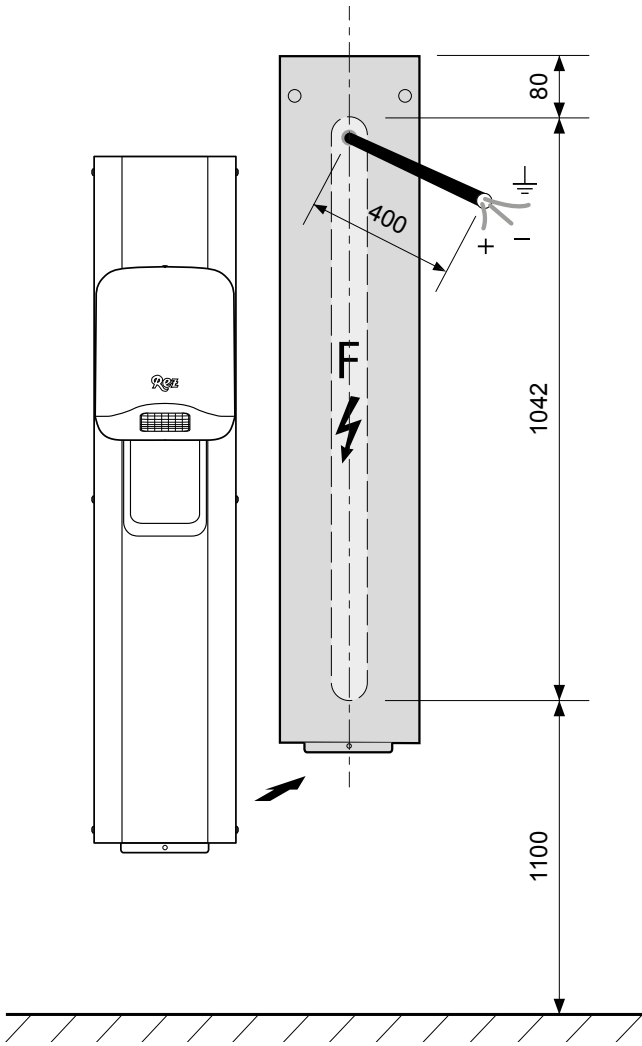


Electrical diagram



Contact us

Rez AG
Litternaweg 8, 3930 Visp
Switzerland

Tel.: +41 848 00 10 50
Mail: info@rez-ag.ch
www.rez-ag.ch